

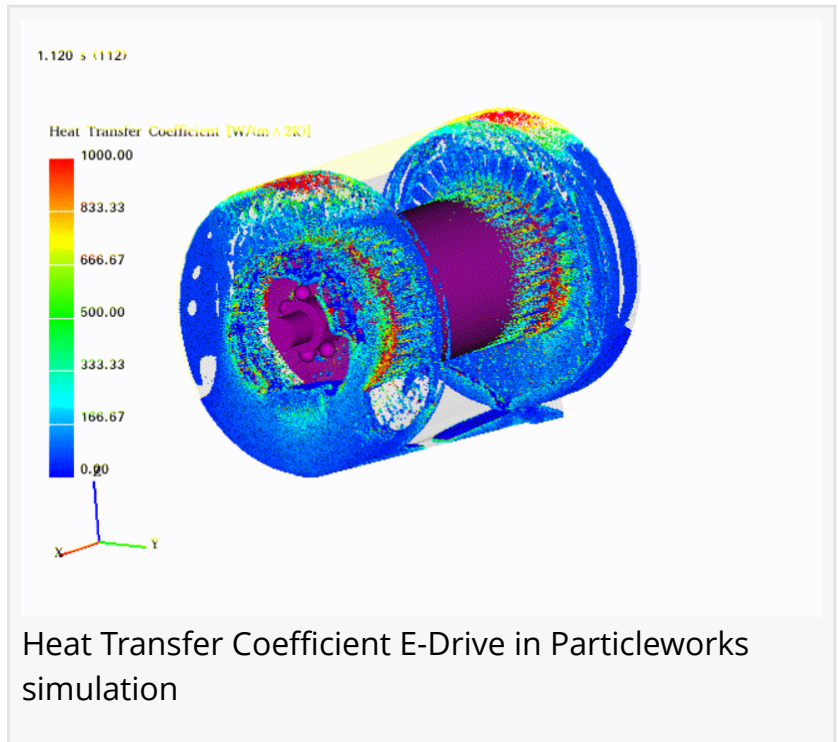
Cooling Solutions for E-Motors Solved with Particle Method CFD

Particle-based Meshless CFD allows the experienced user to create an accurate simulation of an e-motor where thermal analysis can be completed with ease.

MCKINNEY, TEXAS, UNITED STATES, April 19, 2021 /EINPresswire.com/ -- With the growing popularity of electric vehicles, e-motor cooling simulations are becoming a large design task for automotive manufacturers. Meritor, Toyota, Honda, GKN all use [Particle CFD](#) to study the cooling in electric engines and gearboxes.

EnginSoft is hosting a free webinar on Tuesday April 20th, 2021 at 10:30 AM CT on the topic. This webinar will go

into detail and show how Particleworks will be used to solve an e-motor CFD analysis and use the mapping post process tool to extract HTC values for a thermal analysis.



“

Dang! That is awesome!”

Engineer at Major Automotive Company after viewing Particleworks simulation

[Click here to register](#)

About Particleworks

Particleworks is the leading software for simulating the movement of fluids. Our cutting-edge, particle-based simulator makes it easy to create and analyze 3D models

in a variety of industrial contexts □ from oil sloshing and cooling for the automotive industry to mixing and kneading for medicine and plastics.

About EnginSoft

EnginSoft USA supports companies in design process innovation, with extensive skills and highly

qualified staff. We provide a wide range of software and services including effective, high-quality consulting, advanced training, development of ad hoc custom software, and research. EnginSoft is the leading technology transfer company in the field of Computer Aided Engineering (CAE). We leverage CAE tools to help customers solve complex product development problems by combining technology transfer with [CFD Consulting](#), FEA Consulting, training and research.

Chris Wilkes
EnginSoft USA
+1 469-912-0504
[email us here](#)



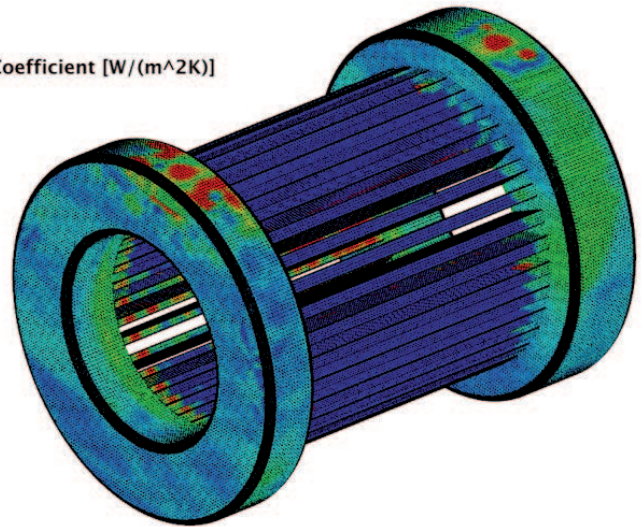
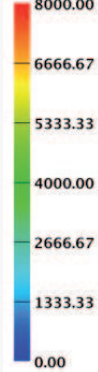
Particleworks™

Particle-based simulation software for CAE

Particle Method Meshless CFD Particleworks

3.92 s

HeatTransferCoefficient [W/(m²K)]



Electric Drive CFD

This press release can be viewed online at: <https://www.einpresswire.com/article/538822322>

EIN Presswire's priority is source transparency. We do not allow opaque clients, and our editors try to be careful about weeding out false and misleading content. As a user, if you see something we have missed, please do bring it to our attention. Your help is welcome. EIN Presswire, Everyone's Internet News Presswire™, tries to define some of the boundaries that are reasonable in today's world. Please see our Editorial Guidelines for more information.

© 1995-2021 IPD Group, Inc. All Right Reserved.